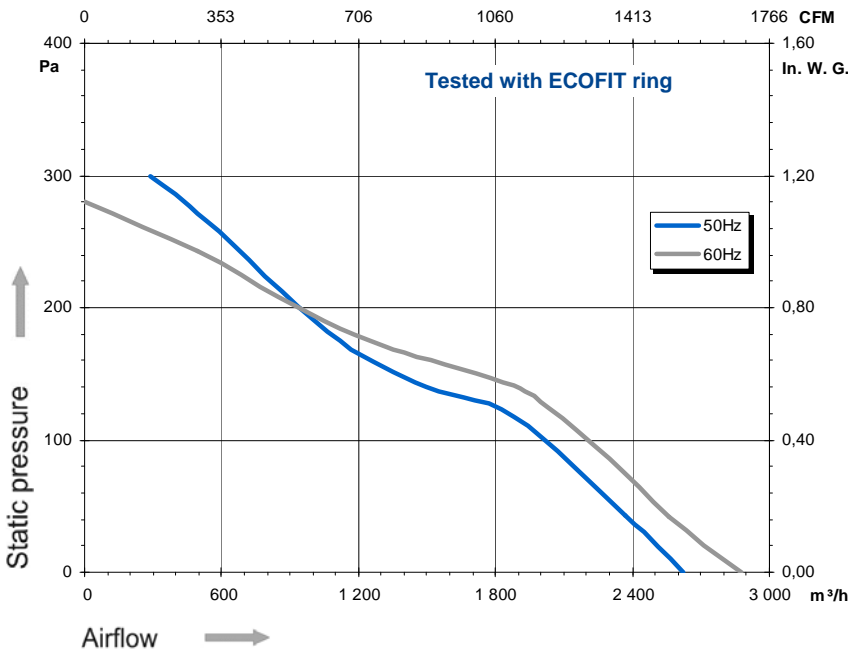
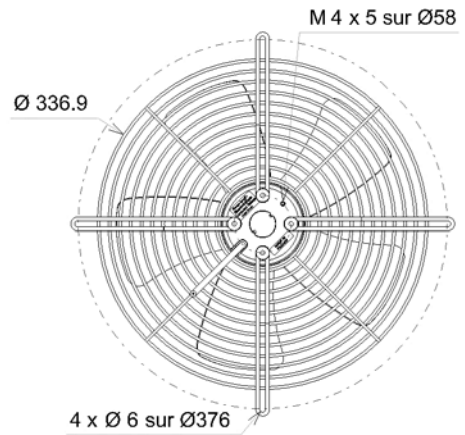
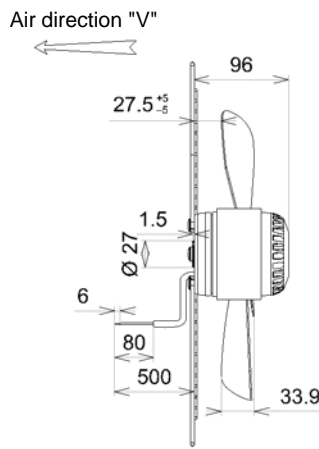
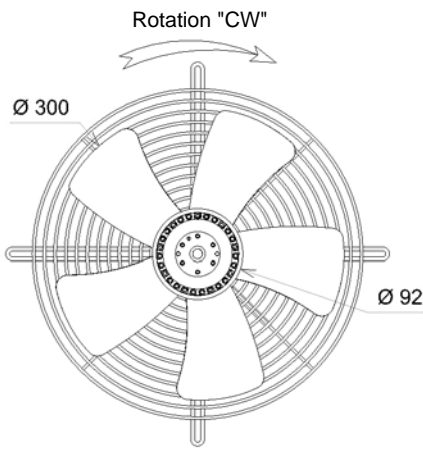


2VGR45 300V P/N B22-F0

Voltage	Frequency	Input power	Current	Capacitor	Airflow	Speed rotation	Noise level	Rotation direction	Operating temperature	ErP 2013	ErP 2015
V	Hz	Wa	A	μF	m³/h	RPM	dBA	↻	Min / Max		
230	50	181	0,79	6,0	2 625	2 650	74	R	-20°C / +70°C	OK	OK
230	60	261	1,14	6,0	2 880	2 940	77	R	-20°C / +70°C		
230	50				1545 CFM				-4°F / +158°F		
230	50				1695 CFM				-4°F / +158°F		



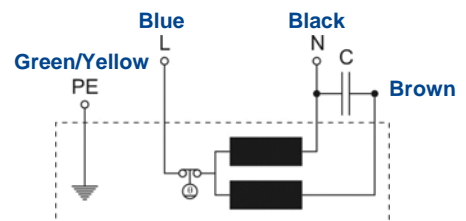
dBa : free let out



- Weight : 3,4 Kg
- Ball bearing
- Class F, thermally protected
- IP44 protection depending on installation and position as per EN60034-5
- G6.3 balancing
- Rotor and impeller : black paint
- Finger guard : black paint



Capacitor for 50Hz	Capacitor for 60Hz	Connecting box	Connector
19016	19016	39658	09172



Non contractual document. All specifications are subject to change without prior notice. Picture for information only.